



DUKESON **BASIN**

Dukeson aspires to help create unique exclusive developing products conceived to meet consumer needs and to fit in with the latest trends. With this in mind, we have created an extensive range of washbasin units with a strong design appeal, bringing the very essence of Dukeson to a selection of exclusive models.

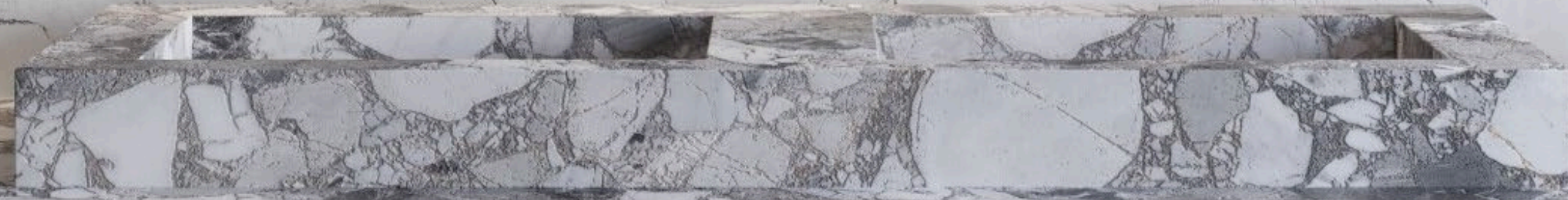
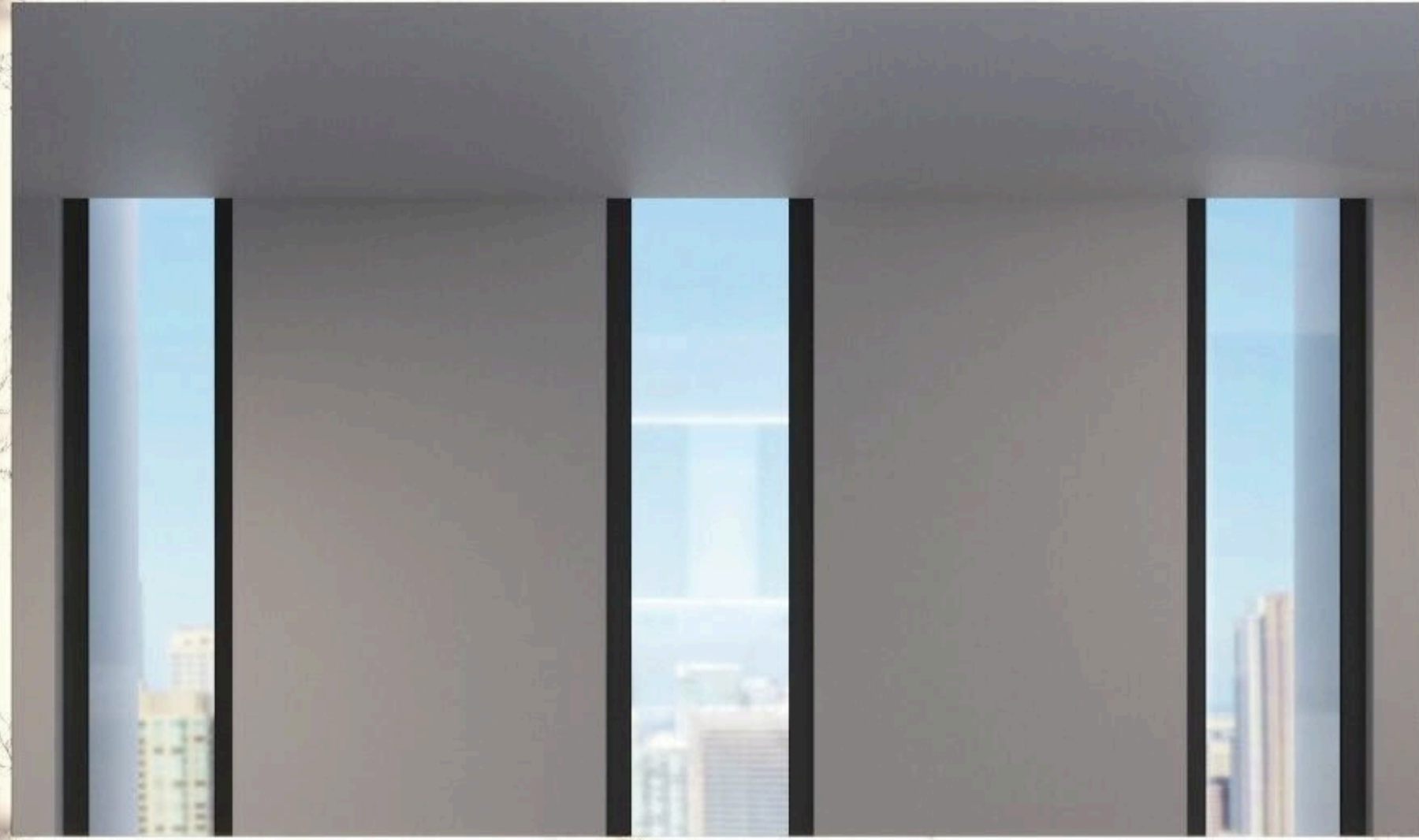
The minimalist design with the versatile character of these new sinks makes them ideal for its integration in space. Models that combine design and functionality adapting to the needs of each Basinroom.

The variety of Dukeson collections promotes the customization of washbasins. You can choose from a wide range of 6mm thick products, in Shaped and Natural finishes.

arte cloud SHAPED		arte desert SHAPED		arte mocha SHAPED									
	calacatta white NATURAL		calacatta gold NATURAL		chicago cloud SHAPED		chicago mocha SHAPED		chicago road SHAPED		chicago moon SHAPED		
praliné white SHAPED		dual white SHAPED		haute white SHAPED				kron gray NATURAL		kron charcoal NATURAL		premiere white SHAPED	
	strönd cloud SHAPED		strönd oat SHAPED		strönd dolphin SHAPED		sublime iceberg thunder cliff SHAPED				supreme white SHAPED		







009: MB.SUBLIME ICEBERG SP/PRI/160/SS SUBLIME ICEBERG DECOR SP/33,3X100/R SUBLIME VULCANO NT/60X120/C/R



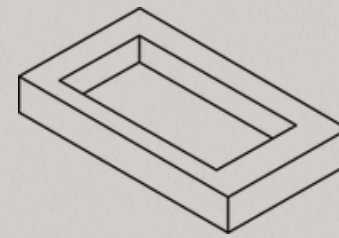
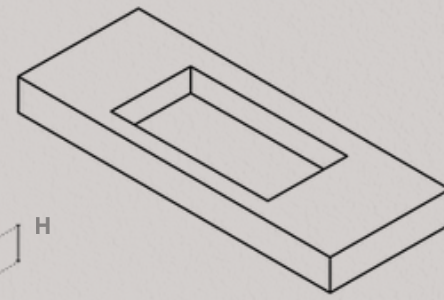
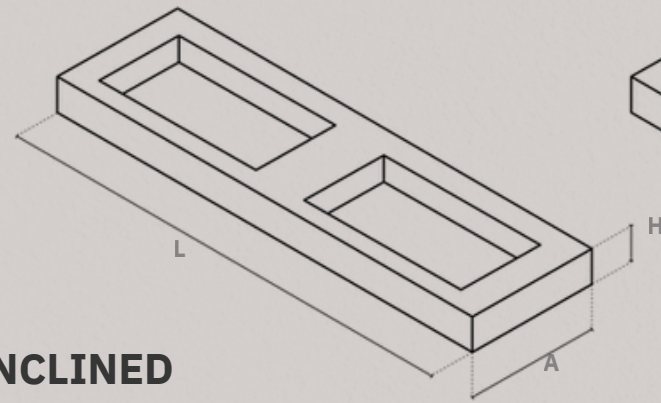
models

PRIMARY

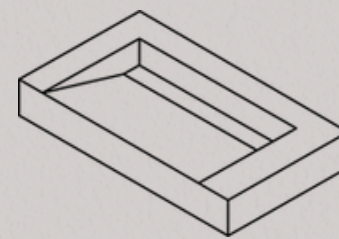
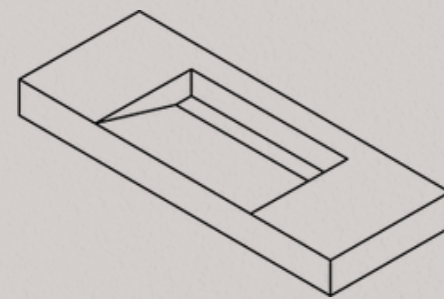
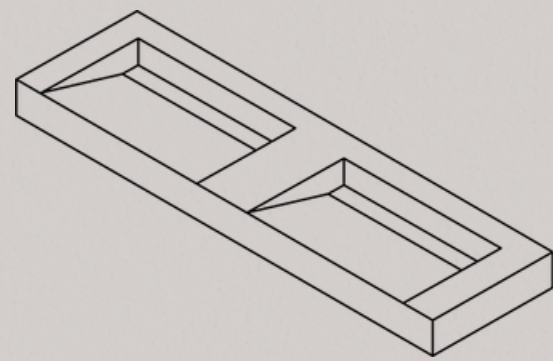
160

120

80



INCLINED



TOTAL MEASURES (LxA×H) **1600 x 455 x 120 mm**

TOTAL MEASURES (LxA×H) **1200 x 455 x 120 mm**

TOTAL MEASURES (LxA×H) **800 x 455 x 120 mm**

SINK OPTIONS **2 sinks (SS)**

SINK OPTIONS **1 sink (SI/SC/SD)**
(location can be chosen)

SINK OPTIONS **1 sink (SC)**

TAP OPTIONS **Custom holes**
(tap not included)

TAP OPTIONS **Custom holes**
(tap not included)

TAP OPTIONS **Custom holes**
(tap not included)

MOUNTING BRACKETS **4 brackets**

MOUNTING BRACKETS **2 brackets**

MOUNTING BRACKETS **2 brackets**

PRICE RATES
(without brackets set) **MB1**

PRICE RATES **MB2**

PRICE RATES **MB3**

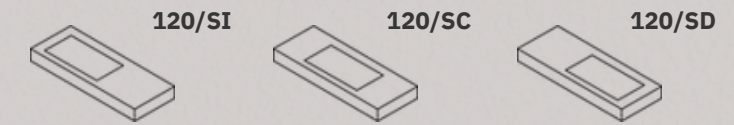
(with brackets set) **MB4**

PRICE RATES **MB5**

PRICE RATES **MB6**

Sink Options

In both PRIMARY and INCLINED 120 models, the sink location can be chosen: left (SI), center (SC) or right (SD). 160 models have always two sinks (SS). 80 models have always one centered sink (SC).



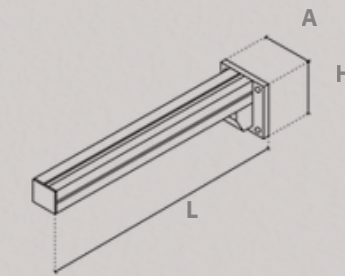
Mounting Brackets

If desired, Dukeson Basin can be installed suspended on the wall using wall mount brackets. For the correct installation, it is recommended taking into account the approximate furniture weights indicated. We provide the mounting brackets for an additional fee (1 set = 2 wall mount brackets). 160 model requires 2 sets, while 120 and 80 models require only 1 set.

TOTAL MEASURES (L×H×A) **433 x 100 x 90 mm**

SET WEIGHT **4,96 lb**

SET PRICE RATE **U80**



MODEL	SIZE	BOX		PALLET		Tamaño aprox. cm.
		Piezas	kg	Cajas	kg	
160	1600 x 455 x 120	1	51	4	204	180 x 90 x 81
120	1200 x 455 x 120	1	46	4	184	120 x 80 x 81
80	800 x 455 x 120	1	33	4	132	120 x 80 x 81
washbasin	inch.	Units	Ib	Boxes	Ib	Approx. inch. sizes
160	63 x 17.9 x 4.72	1	112.4	4	449.7	70.9 x 35.4 x 31.9
120	47.2 x 17.9 x 4.72	1	101.4	4	405.7	47.3 x 31.5 x 31.9
80	31.5 x 17.9 x 4.72	1	72.8	4	291	47.3 x 31.5 x 31.9

CONSIDERATIONS

Please, read the instructions before installation. Make sure all parts are included and in perfect condition. We highly recommend the installation to be done by qualified personnel. Fixings are not valid for light surfaces such as plywood, drywall, timber wall or similar.

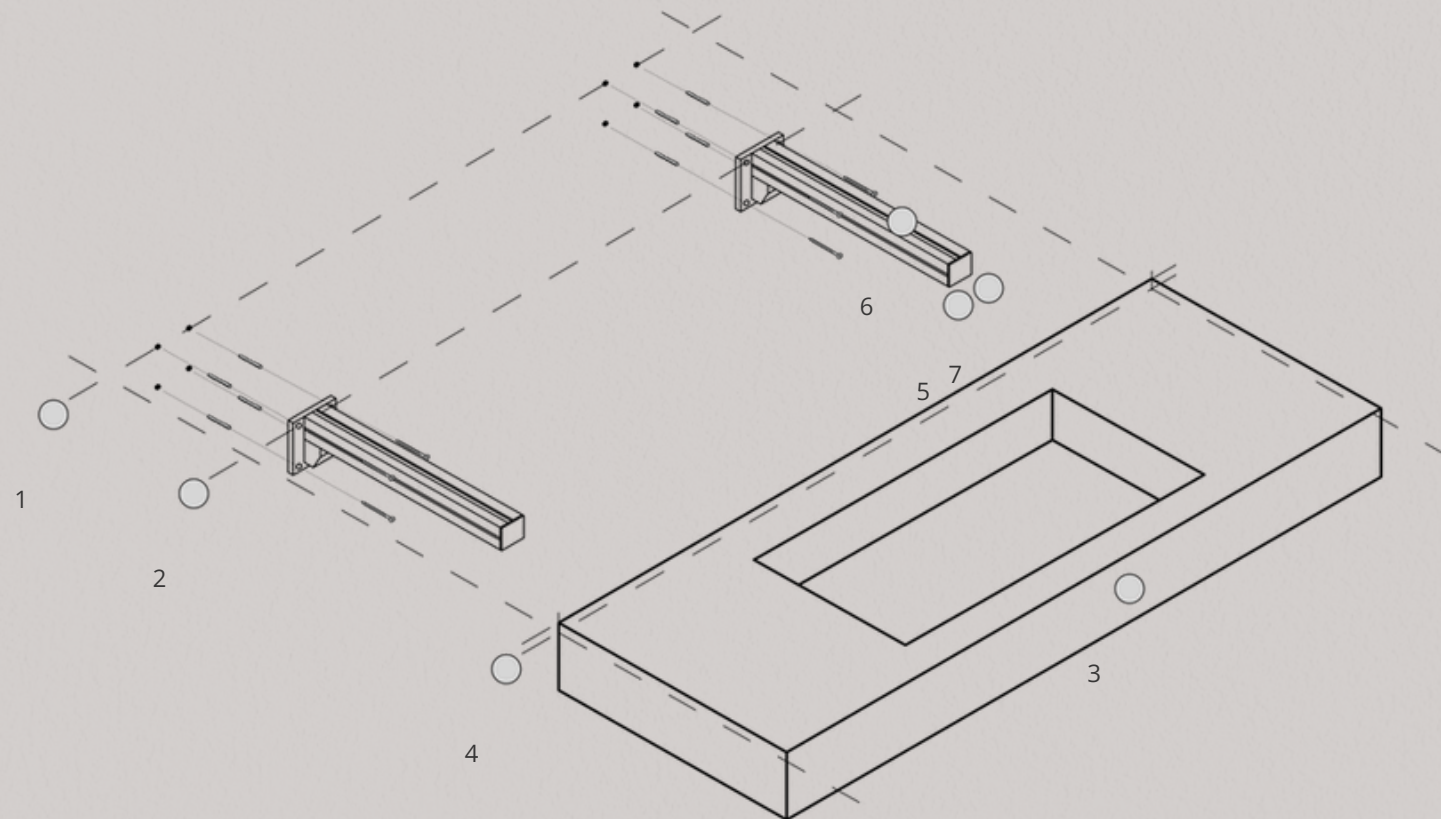
INSTRUCTIONS

1. Mark the spots for the holes on the wall. Make sure they are aligned correctly and proceed drilling.
2. Insert the pegs in the wall holes, put the brackets and screw them on the wall.
3. Put the basin in the right position.
4. Make sure the basin is correctly aligned.
5. To adjust the basin angle, turn the levelling screw located on the low part of the basin until you get the right alignment.
6. Remove the basin and apply silicon along the top side of the brackets. Put the basin back into position and allow it to dry for at least 24 hours.
7. Once dry, remove the levelling screw.

TECHNICAL SPECIFICATIONS The ceramic washbasins in this ground-breaking collection are made of top-quality porcelain tiles, an optimal

choice for Basinrooms. This is a forward-looking material, both technologically and in product design terms, thanks to technical properties as fundamental as its water absorption rate, durability and fire resistance. Its mechanical and thermal properties easily surpass the requirements of the relevant standards.

CLEANING Ceramic surfaces, including basins, require adequate cleaning techniques in order to avoid damaging the surface. We recommend using a washing solution, bioalcohol or a neutral cleaner to get rid of the dirt in the surface. For daily cleaning we recommend using just a damp cloth. It is very important to wipe the surface before applying a cleaning solution of warm water and a soft soap or vinegar. In case that dirt persistently remains in the surface, specific cleaning procedures might be advisable. Gently rubbing with a sponge or a soft cloth in a circular motion will help cleaning persistent stains. For more resistant stains, you can apply a cleaning paste made of water and soda. In any case, high concentrated chemicals and abrasive products should never be used.



Dukeson

Once ceramic tiles reach the end of their useful life, they are inert waste. For their proper management, they should be given to an authorized waste management body for recycling purposes.

All colours and hues appearing in this catalogue should be considered approximate, only in view of the printing processes involved.